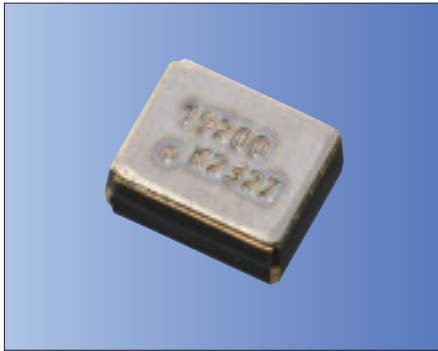


2.0×1.6mm for Mobile Communications



RoHS Compliant

**Features**

- Crystal Unit with Thermistor
- Height 0.65 (max.) mm is also available
- Reference frequency for telecommunication systems
- Reflow compatible
- Using ceramic package resulting in high reliability

**Applications**

- Mobile Communications, GPS

**How to Order**

CT2016DB 19200

- ① Series
- ② Frequency
- ③ Load Capacitance
- ④ Frequency Tolerance
- ⑤ Operating Temp. Range
- ⑥ Frequency Temp. Stability
- ⑦ Individual Specification

<b>B0</b>	6 pF	—	<b>F</b>	±10×10 <sup>-6</sup>	Std.
<b>C0</b>	7 pF	Std.	<b>G</b>	±15×10 <sup>-6</sup>	—
<b>PF</b>	-40 to +85°C	±10×10 <sup>-6</sup> (at -25 to +85°C)			
<b>RH</b>	-40 to +105°C	±12×10 <sup>-6</sup> (at -30 to +85°C)			

Packaging (Tape & Reel 12000 pcs./ reel)

**Specifications**

Item	Symbol	Specification	Units	Remarks
Frequency Range	f <sub>nom</sub>	19200 to 60000	kHz	
Overtone Order	OT	Fundamental	—	
Load Capacitance	CL	7	pF	
Frequency Tolerance	f <sub>tol</sub>	±10	×10 <sup>-6</sup>	25°C±3°C
Motional Series Resistance	R1	Table 1	ohm	
Drive Level	DL	10	μW	100μW max.
Operating Temp. Range	T <sub>use</sub>	-30 to +85	°C	
Storage Temp. Range	T <sub>stg</sub>	-40 to +105	°C	
Frequency Temp. Characteristics	f <sub>tem</sub>	±12	×10 <sup>-6</sup>	Freq. deviation from the value at 32°C
Thermistor Resistance	—	Table 2	ohm	25°C
Thermistor B-Constant	—	Table 3	K	25°C-50°C

Please contact us for other specifications.

**Table1 Motional Series Resistance**

Frequency Range	Motional Series Resistance
19200 to 25999kHz	80Ω max.
26000 to 29999kHz	60Ω max.
30000 to 60000kHz	50Ω max.

**Table 2 Thermistor Resistance**

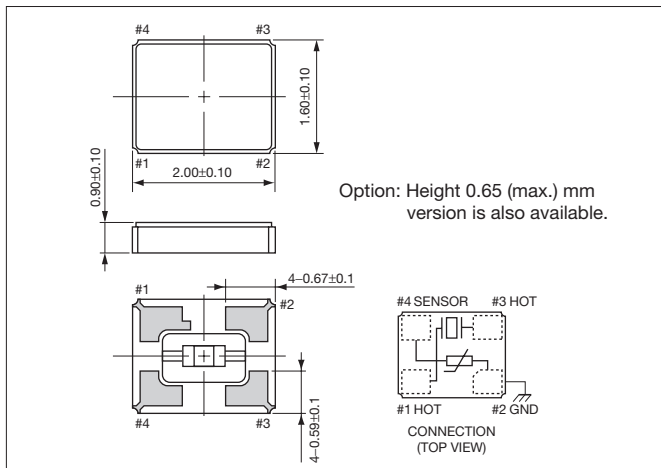
Resistance	Specification
100kΩ	±1%

**Table 3 Thermistor B-Constant**

B-Constant	Specification
4250K	±1%

**Dimensions**

(Unit: mm)



**Recommended Land Pattern**

(Unit: mm)

