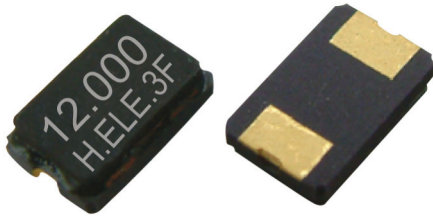




CRYSTAL RESONATOR

Glass Sealing Package

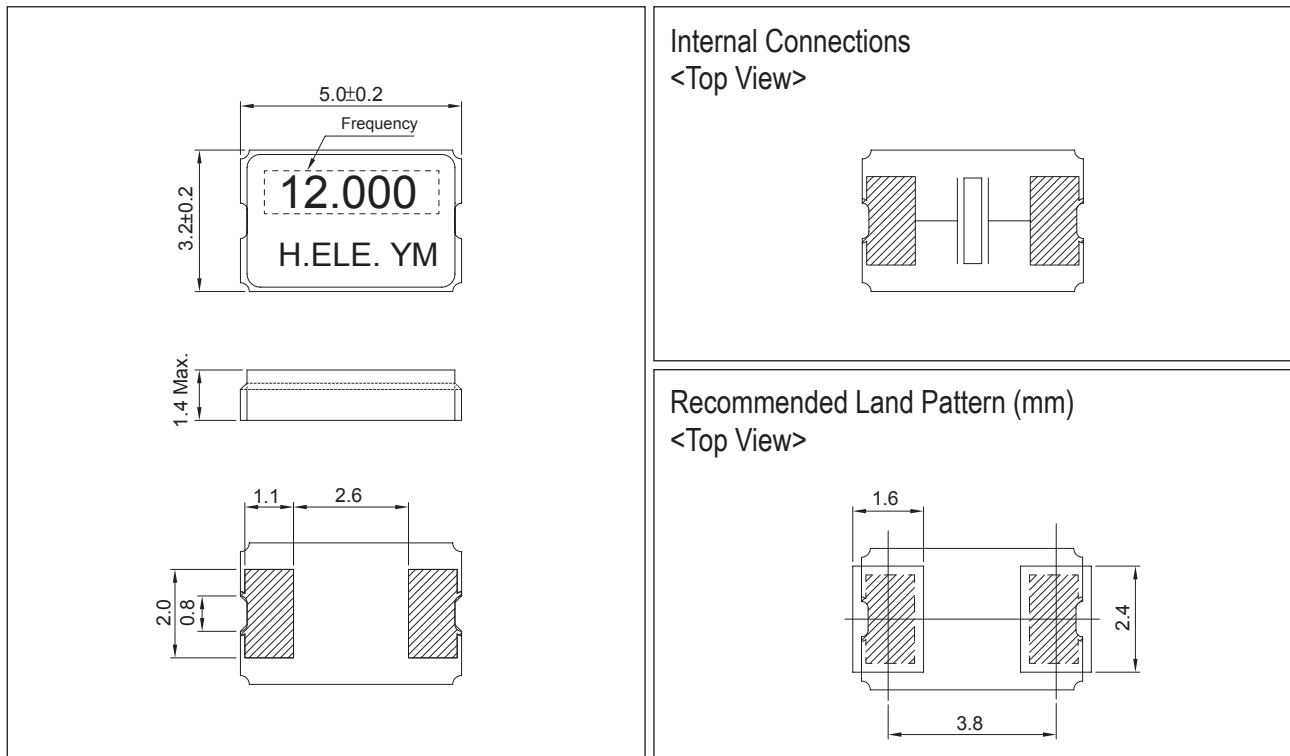
HSX530G Series



Features:

- High precision and reliability with excellent heat resistance.
- Suitable for various applications.
- Ideal solution for product design less sensitive to space constraints.
- Primary solution for DIP type clock design looking to consider a switch to SMD type production.

Dimension (mm):



Standard Specification:

ITEM	TYPE	HSX530G			
		8 ~ 10 MHz	10 ~ 20 MHz	20 ~ 27 MHz	27 ~ 50 MHz
Frequency Range		8 ~ 10 MHz	10 ~ 20 MHz	20 ~ 27 MHz	27 ~ 50 MHz
Mode		Fundamental			
Frequency Tolerance		±30ppm, ±50ppm (at. 25°C)			
Frequency Stability over Operating Temperature Range		±30ppm, ±50ppm, or Specify			
Operating Temperature		-10 ~ +60 °C , or Specify			
Load Capacitance		Series, 8pF, 10pF, 12pF, or Specify			
Drive Level		10μW (300μW Max.)			
Equivalent Series Resistance		150Ω Max.	100Ω Max.	80Ω Max.	50Ω Max.
Storage Temp. Range		-40 ~ +125°C			

*Packing Unit: 1,000pcs/Reel.