

1. Device Name TCXO
 2. Model Name DSB321SD
 3. Nominal Frequency 16.367667 MHz
 4. Mass 0.03g max.
 5. Absolute Maximum Ratings

	Item	Rating	Unit
1	Supply Voltage	-0.3 to +6.0	V
2	Storage-Temperature Range	-40 to +85	°C

6. Recommended Operating Conditions

	Item	Min.	Typ.	Max.	Unit
1	Supply Voltage	+3.135	+3.3	+3.465	V
2	Load impedance (resistance part)	9	10	11	kΩ
	(parallel capacitance)	9	10	11	pF
3	Operable Temperature Range	-30	-	+85	°C

7. Electrical Characteristics

(T_A = -30 to +85°C, Load=10kΩ//10pF, V_{CC}=+3.3V, unless otherwise noted)

	Item	Conditions	Limits			Unit	Notes
			Min.	Typ.	Max.		
1	Current Consumption		-	-	1.5	mA	
2	Output Level	Peak to peak	0.8	-	-	V	1
3	Duty	AC-DUTY	40/60	-	60/40	%	
4	Frequency Stability 1. Tolerance	Initial Tolerance(T _A = +25°C)	-	-	±0.5	ppm	2
		After 2 times reflow(T _A = +25°C)	-	-	±1.0	ppm	3,6
	2.vs. Temperature	T _A = -30 to +85°C	-	-	±0.5	ppm	4
	3.vs. Slope	T _A = -30 to +85°C	-	-	±0.1	ppm/°C	5
	4.vs. Supply Voltage	V _{CC} =+3.3V±5%	-	-	±0.1	ppm	
	5.vs. Load Variation	Load=(10kΩ//10pF)±10%	-	-	±0.1	ppm	
	6.vs. Aging	T _A = Room ambient	-	-	±1.0	ppm/years	
5	Start up	@90% of Final Vout level	-	-	2.0	ms	
6	C/N	Relative to F0 Level Offset 1Hz	-	-	-57	dBc/Hz	
		Relative to F0 Level Offset 10Hz	-	-	-85	dBc/Hz	
		Relative to F0 Level Offset 100Hz	-	-	-110	dBc/Hz	
		Relative to F0 Level Offset 1kHz	-	-	-130	dBc/Hz	
		Relative to F0 Level Offset 10kHz	-	-	-140	dBc/Hz	

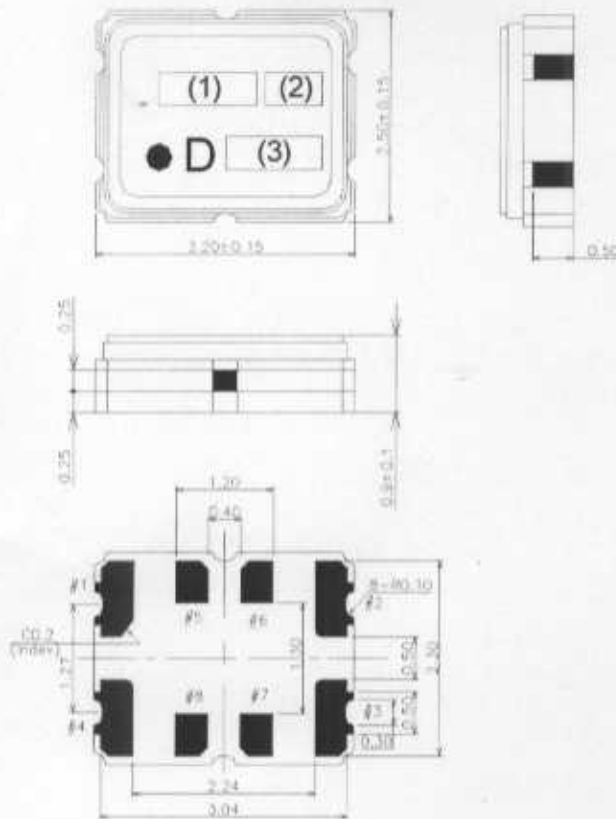
Notes

1. Clipped sine wave(DC-coupled)
 2. Ref. to Nominal Frequency.
 3. Please leave after Reflow in 2-hour or more at room ambient.
 4. Ref. to Frequency(T_A=+25°C)
 5. 1 Frequency reading for every 2°C
 6. Ref. to Frequency (Before Reflow)

TITLE TCXO SPECIFICATION	Remark		
Date 2007/10/30	Spec. No. 1XTW16367VNA	Rev. -	Page 1/12

8. Outline, Terminal Connections

Outline



Terminal Connections

Terminal No.	Connection
#1	GND.
#2	GND.
#3	OUTPUT
#4	Vcc
#5-8	N.C. (KDS Test Port)

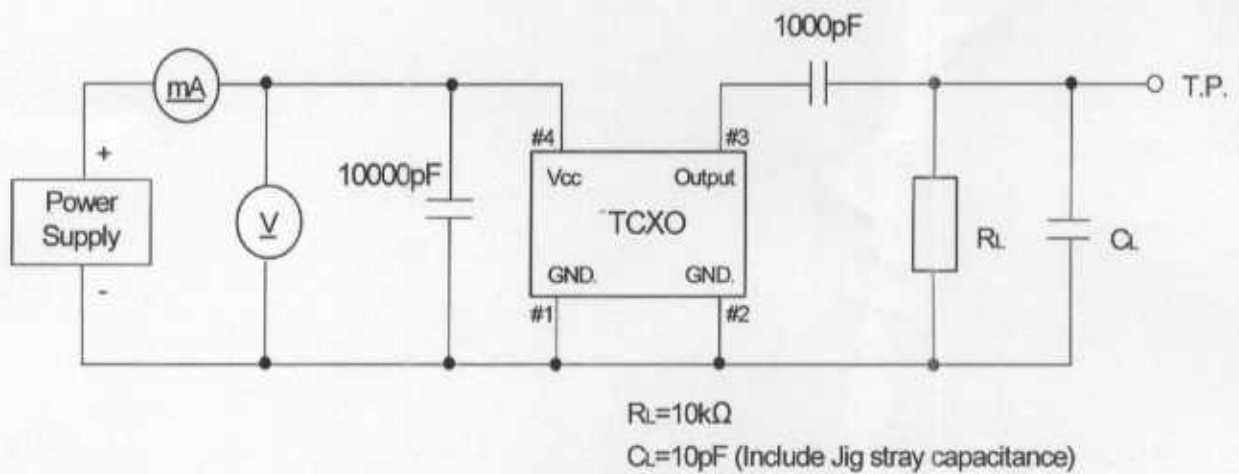
Marking

- (1) Frequency 16.36 (MHz, 4digits)
 (2) Model code "H"
 (3) EIA Date code Year(1digit)+Week(2digits)
 e.g. 2007/1/1 → 701

Unit:[mm]

Dimensional Tolerance: ± 0.15
 (Unless otherwise noted)

9. Measurement Circuit



TITLE		Remark	
TCXO SPECIFICATION			
Date	Spec. No.	Rev.	Page
2007/10/30	1XTW16367VNA	-	2/12