

1. Device Name VC-TCXO
2. Model Name DSA321SDM
3. Nominal Frequency 16.320 MHz
4. Mass 0.02g max.
5. Absolute Maximum Ratings

	Item	Symbol	Rating	unit
1	Supply Voltage	V _{CC}	-0.3~+6.0	V
2	Storage Temperature Range	T _{STG}	-40~+85	°C

6. Recommended Operating Conditions

	Item	Symbol	min.	typ.	max.	unit
1	Supply Voltage	V _{CC}	+3.135	+3.3	+3.465	V
2	Load Impedance (resistance part) (parallel capacitance)	LOAD_R	9	10	11	kΩ
		LOAD_C	9	10	11	pF
3	Control Voltage Range	V _{CONT}	+0.5	+1.5	+2.5	V
4	Operating Temperature Range	T _{OPR}	-30	-	+85	°C

7. Electrical Characteristics

(T_A=-30~+85°C, LOAD_R//C=10kΩ//10pF, V_{CC}=+3.3V, V_{CONT}=+1.5V, unless otherwise noted)

	Item	Conditions	Limits			unit	Notes
			min.	typ.	max.		
1	Current Consumption		-	-	+1.5	mA	
2	Output Level		0.8	-	-	V _{P-P}	1
3	Symmetry	GND level (DC cut)	40/60	-	60/40	%	
4	Frequency Stability						
	1.Tolerance	After 2 times reflow Ref. to Nominal Frequency	-	-	±1.5	ppm	2
	2.vs Temperature	T _A =-30~+85°C Ref. to Frequency (T _A =+25°C)	-	-	±0.5	ppm	
	3.vs Supply Voltage	V _{CC} =+3.3V±5%	-	-	±0.2	ppm	
	4.vs Load Variation	LOAD_R//C=(10kΩ//10pF)±10%	-	-	±0.2	ppm	
	5.vs Aging	T _A =Room ambient	-	-	±1.0	ppm/year	
5	Start Up Time	@90% of final V _{out} level	-	-	2.0	ms	
6	Frequency Control						
	1.Control Range	V _{CONT} =+0.5V~+2.5V(Ref +1.5V)	±3	-	±5	ppm	3
	2.Input Resistance		500	-	-	kΩ	
7	SSB Phase Noise	Relative to f ₀ level offset 1kHz	-	-	-130	dBc/Hz	

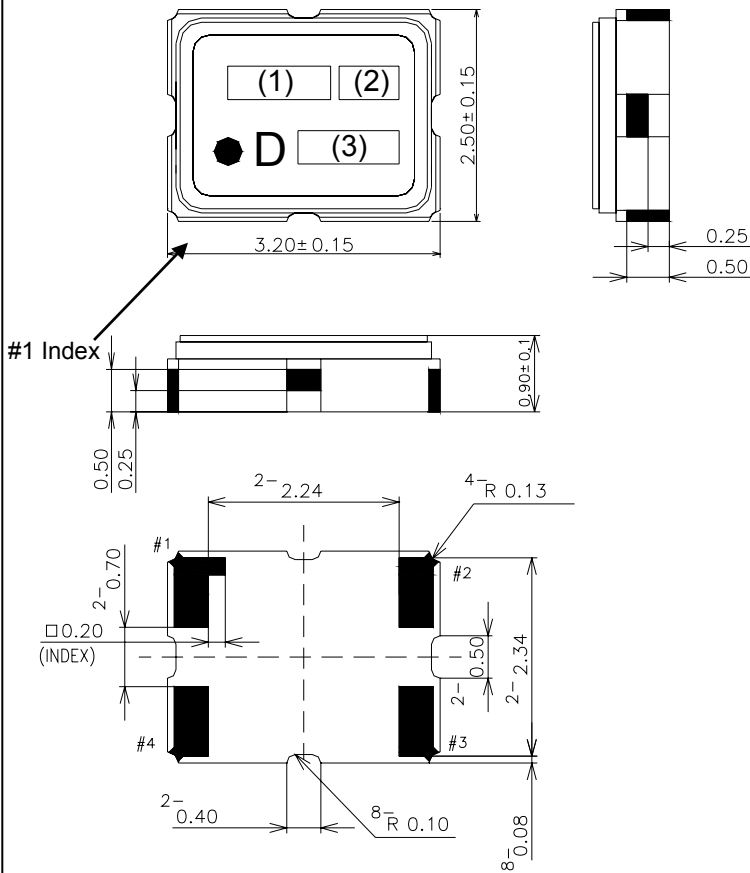
Notes

1. Clipped sine wave (DC-coupled)
2. Please leave after reflow in 2h or more at room ambient.
3. Positive slope (Frequency becomes high in proportion to frequency control voltage.)

TITLE DSA321SDM TYPE SPECIFICATION		Remark		
Date 2013/12/18	Spec. No. 1XTV16320JAA	Rev. -	Page 1/2	

8. Outline, Pin Connections

Outline



Pin Connections

Pin No.	Connection
#1	V_{CONT}
#2	GND
#3	Output
#4	V_{CC}

Marking

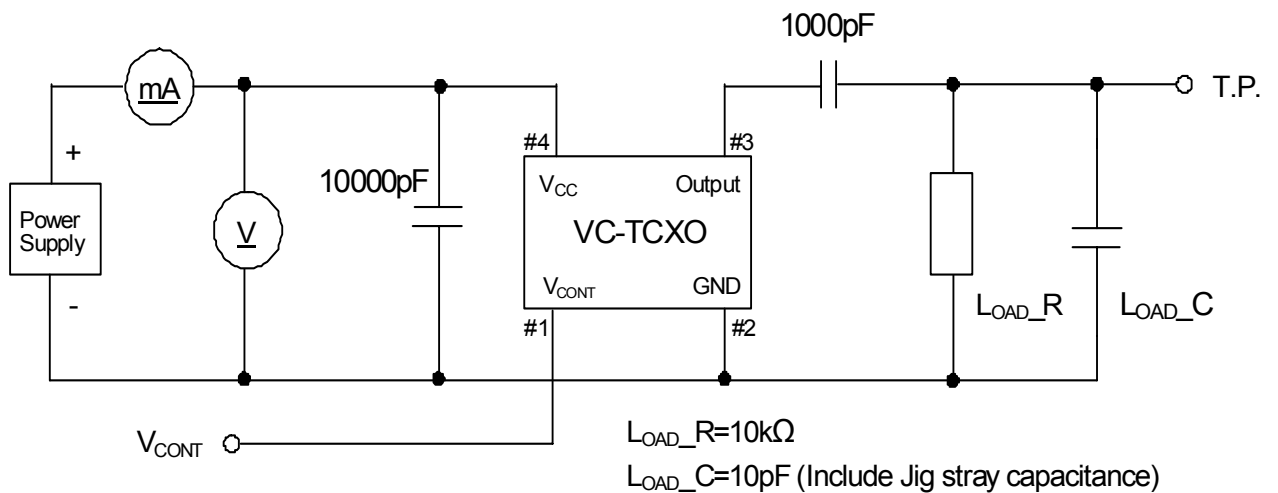
(1) Frequency	16.32 (MHz, 4digits)
(2) Model code	AD
(3) Logo	D
(4) Date code	Year (1digit) +Week (2digits) e.g.2012/1/1 → 201

unit: mm

Dimensional Tolerance: ± 0.15

(Unless otherwise noted)

9. Measurement Circuit



TITLE
DSA321SDM TYPE SPECIFICATION

Remark

Date
2013/12/18

Spec. No.
1XTV16320JAA

Rev.
-

Page
2/2