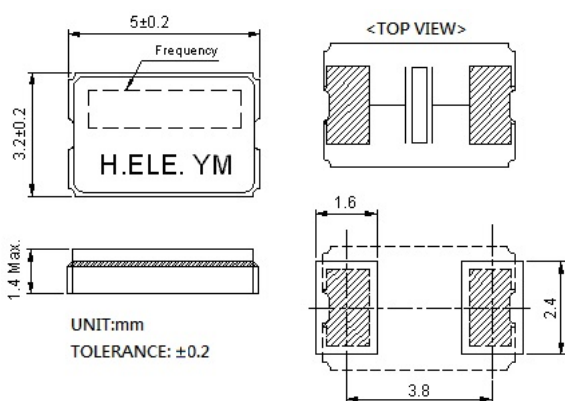


QUARTZ CRYSTAL UNIT SPECIFICATION

Customer:	HELE P/N : X5H012288FI1H
Customer P/N:	Date :2015/05/29
1. Frequency:	12.288000MHz
2. Holder type :	HSX530G
3. Frequency tolerance:	+/-30 ppm at 25deg.C +/-3deg.C
4. Equivalent resistance:	100 ohms Max. / SERIES
5. Storage temperature range:	-40 deg.C To +85 deg.C
6. Operable temperature range:	-20 deg.C To +75 deg.C
7. Temperature drift:	+/-30ppm -20deg.C To +75 deg.C
8. Loading capacitance (CL) :	18.0pF
9. Drive level:	10 uW (300uW Max.)
10. Shunt Capacitance:	7.0pF Max.
11. Insulation resistance :	More than 500M ohms at DC 100V
12. Mode of oscillation:	Fundamental
13. Circuit:	Measured in HP/E5100A,S&A 250B
14. Shocking :	Dropping from 75 cm height 3 times on firm wood
Variation :	Frequency less than +/-5 ppm Resistance less than +/- 15 % or 2ohms max.
15. Aging:	Less than +/-5ppm/Year
16. Note:	



Marking :

*Marking should be printed as following:

Nominal Frequency, Logo, Manufactured year & month

*Nominal frequency (□)= 3 number after decimal point MAX.

(ex. 12.000 MHz \rightarrow 12.000)

*Manufacturing Lot No.

(Y: year) ex. 2000 shall be marked as ' 0 '

Year	2000	2001	2002	2003	2004	2005	2006	2007	2008	2009
Code	0	1	2	3	4	5	6	7	8	9

(M: month) ex. June shall be marked as ' F '

Jan.	Feb.	Mar.	Apr.	May.	Jun.	Jul.	Aug.	Sep.	Oct.	Nov.	Dec.
A	B	C	D	E	F	G	H	J	K	L	M

Marking : Laser marking.



HARMONY ELECTRONICS CORP.